

ASSEMBLY INTRUCTION

ITEM # KS5436 SAINT PETE DINING TABLE

SIZE: 54"Wx 36"x54"L(w1-1/18" leaf)x 36"H



Thanks for your purchasing this quality product

ASSEMBLY TIPS:

1. Remove hardware from box and sort by side
2. Please check to see that all hardware and parts are present priorstart of assembly
3. Please follow attached instructions in the same sequence as numbered to asurre fast & easy assembly



Warning !

1. Don't attempt to repair or modify parts that are broken or defective. Please contact the store immediately.
2. This product is for home use only and not intened for commercial establishment.

HARDWARE LIST			
No.	Description		Qty
A	Spring Washer 5/16"		8 Pcs
B	Flat Washer 5/16"		8 Pcs
C	Hex nut 5/16"		8 Pcs
D	Spanner 12.8		1 Pc

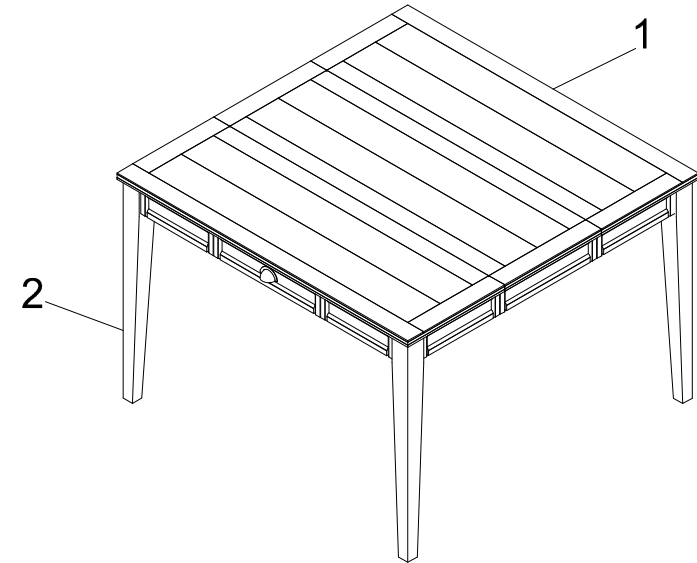
PART LIST		
No.	Description	Qty
1	Table top	1 Pc
2	Table legs	4 Pcs

CARE & MAINTENANCE:

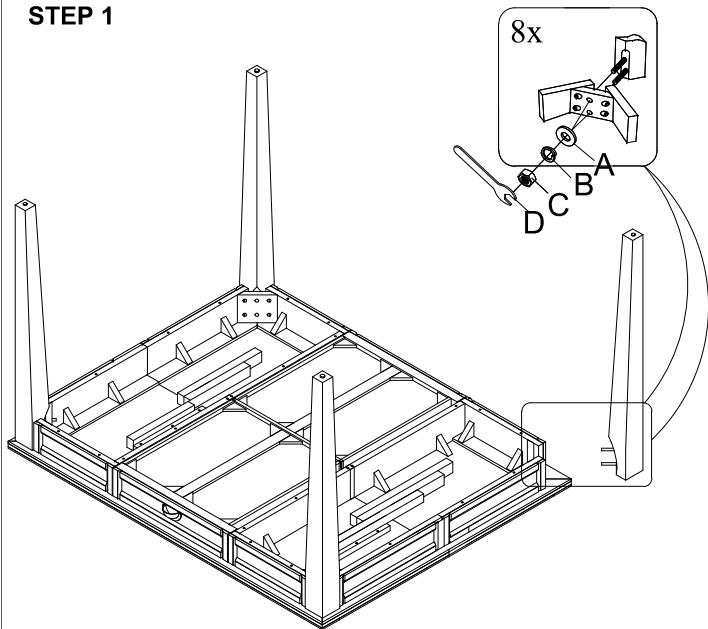
- *The touch of the soft cloth is all the maintenance yourwood pieces will ever need.
- *Never use harsh chemicals or abrasive cleaner as they could marks or destroy finish.

IMPORTANT NOTE:

- * Place all wooden parts on a clean and smooth surface such as a rug or carpet to avoid the parts from being scratched.
- * Before you begin. Kindly follow the assembly instructions step by step.



STEP 1



STEP 2

